

Features

- 120 airjets release thousands of heated bubbles that surround and support the body in a warm massage.
- Variable-speed blower lets you adjust massage intensity to 18 levels.
- Built-in heater.
- Automatic and manual purge cycles remove residual water from air channels after use.
- 60-minute automatic shutoff timer.
- Oval basin creates a spacious bathing experience.
- Spacious design accommodates up to two bathers.
- Integral lumbar support and armrests offer extra comfort while bathing.
- Keypad control.
- Textured bottom surface.

Material

- Acrylic.

Technology

- Heated BubbleMassage™ technology warms and humidifies air before it enters the bath.

Installation

- Drop-in.
- Reversible drain.

Required Products/Accessories

K-11677 Bath Drain

Recommended Products/Accessories

K-24916 Wireless Music Kit

K-738 Under-Mount Install Kit - K-6346/K-6347



Codes/Standards

ASME A112.19.7/CSA B45.10

CSA B45.5/IAPMO Z124

ASTM E162

ASTM E662

UL 1795

CSA C22.2 No. 218.2



KOHLER® Hydrotherapy Components Five-Year Limited Warranty KOHLER® Plastic Baths and Receptors Lifetime Limited Warranty

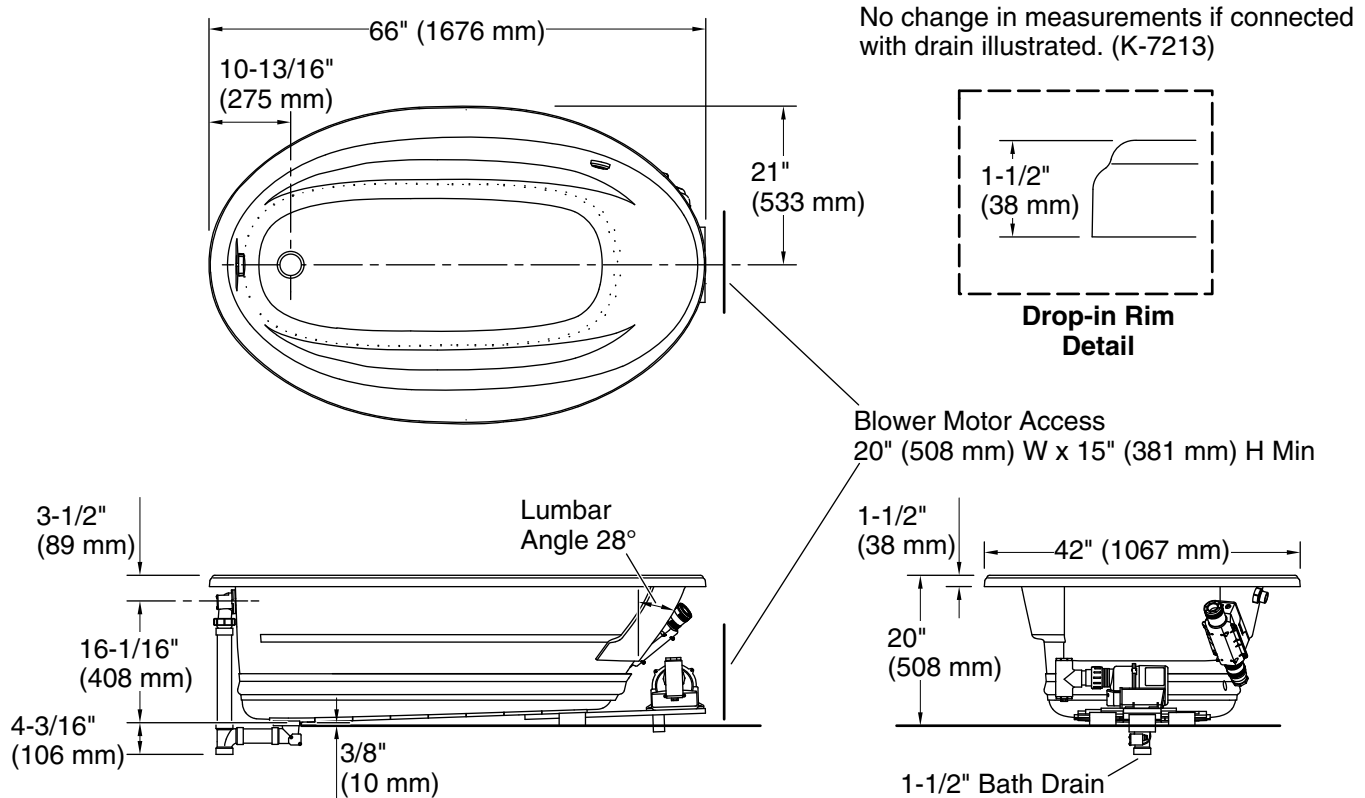
See website for detailed warranty information.

Available Colors/Finishes

Color tiles intended for reference only.

Color	Code	Description
-------	------	-------------

	0	White
	96	Biscuit



Required Electrical Service

Two dedicated circuits required, protected with Class A Ground-Fault Circuit-Interrupter (GFCI). Outside North America, this device may be known as a Residual Current Device (RCD).

Blower: 120 V, 15 A, 60 Hz
 Air bath: 120 V, 15 A, 60 Hz

Technical Information

All product dimensions are nominal.

Installation: Drop-in
 Drain location: End
 Basin area, bottom: 48-5/8" x 24-1/2" (1235 mm x 622 mm)
 Basin area, top: 60" x 32-3/16" (1523 mm x 818 mm)
 Weight: 122 lbs (55.3 kg)
 Minimum floor load: 34 lbs/ft² (166 kg/m²)
 Water depth: 14-5/16" (364 mm)
 Water capacity: 70 gal (265 L)
 Template: Drop-in, 1233384-7, not required, included
 Electrical component rating: Blower: 120 V, 10 A, 60 Hz
 Air bath: 120 V, 5 A, 60 Hz

Notes

Measure your actual product for rough-in details.

Install this product according to the installation instructions.

The hot water supply should be 70% of the capacity of the bath or greater. Installations will vary.